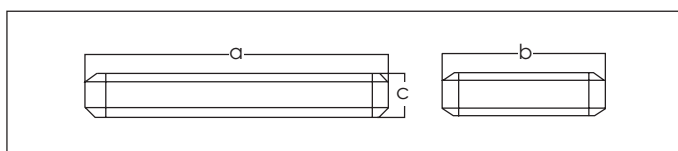


Series 5506



| Type | Dimensions (mm) | | |
|----------|-----------------|------|----|
| | A | B | C |
| 5506/118 | 210 | 645 | 92 |
| 5506/136 | 210 | 1245 | 92 |
| 5506/158 | 210 | 1545 | 92 |
| 5506/218 | 345 | 645 | 92 |
| 5506/236 | 345 | 1245 | 92 |
| 5506/258 | 345 | 1545 | 92 |
| 5506/418 | 645 | 645 | 92 |

| Type | N° and Lamp Type | Weight (kg) | Pack Qty. Box | Pack Qty. Pallet | Product Code |
|-----------------|------------------|--------------|---------------|------------------|--------------|
| 5506/118 | Class: I | IP 40 | | | |
| | 230V 50Hz | | | | |
| 5506/118/5 | H 1 x F18 T8 | 3,50 | 1 | 80 | 7004132 |
| 5506/118/6 | H 1 x F18 T8 | 3,50 | 1 | 80 | 7004133 |
| 5506/118/12 | H 1 x F18 T8 | 3,50 | 1 | 80 | 30181 |
| 5506/118/16 | H 1 x F18 T8 | 3,50 | 1 | 80 | 30404 |
| 5506/118/51 | H 1 x F18 T8 | 3,50 | 1 | 80 | 30184 |

H = with power factor correction - Without lamp.

| | | | | | |
|-----------------|--------------|--------------|---|----|---------|
| 5506/136 | Class: I | IP 40 | | | |
| | 230V 50Hz | | | | |
| 5506/136/5 | H 1 x F36 T8 | 5,50 | 1 | 50 | 7004134 |
| 5506/136/6 | H 1 x F36 T8 | 5,50 | 1 | 50 | 7004135 |
| 5506/136/12 | H 1 x F36 T8 | 5,50 | 1 | 50 | 7004279 |
| 5506/136/16 | H 1 x F36 T8 | 5,50 | 1 | 50 | 7004280 |
| 5506/136/51 | H 1 x F36 T8 | 5,50 | 1 | 50 | 30185 |

H = with power factor correction - Without lamp.

| | | | | | |
|-----------------|--------------|--------------|---|----|---------|
| 5506/158 | Class: I | IP 40 | | | |
| | 230V 50Hz | | | | |
| 5506/158/5 | H 1 x F58 T8 | 7,10 | 1 | 50 | 7004136 |
| 5506/158/6 | H 1 x F58 T8 | 7,10 | 1 | 50 | 7004137 |
| 5506/158/12 | H 1 x F58 T8 | 7,10 | 1 | 50 | 7004281 |
| 5506/158/16 | H 1 x F58 T8 | 7,10 | 1 | 50 | 30190 |
| 5506/158/51 | H 1 x F58 T8 | 7,10 | 1 | 50 | 30196 |

H = with power factor correction - Without lamp.

Series 5506

Ceiling mount luminaires.

Body: 6/10 mm cold-rolled sheet steel with white paint powder finish.

End caps: white polycarbonate.

Optical accessories: see page 30.

Control gear and electric circuit: 230V 50Hz; with starter, HT 90°C

heat-resistant hard wires, explosion-proof power factor correction

capacitor, built-in discharge resistance;

terminal block with 2.5 mm² clamping screws complete with built-in 3.15A

fuse.

Lampholder with cathode covers for IP 40 protection level.

| Type | N° and Lamp Type | Weight (kg) | Pack Qty. Box | Pack Qty. Pallet | Product Code |
|-----------------|------------------|--------------|---------------|------------------|--------------|
| 5506/218 | Class: I | IP 40 | | | |
| | 230V 50Hz | | | | |
| 5506/218/5 | H 2 x F18 T8 | 3,90 | 1 | 40 | 7004138 |
| 5506/218/6 | H 2 x F18 T8 | 3,90 | 1 | 40 | 7004139 |
| 5506/218/12 | H 2 x F18 T8 | 3,90 | 1 | 40 | 30197 |
| 5506/218/16 | H 2 x F18 T8 | 3,90 | 1 | 40 | 30200 |
| 5506/218/51 | H 2 x F18 T8 | 3,90 | 1 | 40 | 30201 |

H = with power factor correction - Without lamp.

| | | | | | |
|-----------------|--------------|--------------|---|----|---------|
| 5506/236 | Classe: I | IP 40 | | | |
| | 230V 50Hz | | | | |
| 5506/236/5 | H 2 x F36 T8 | 6,50 | 1 | 30 | 7004140 |
| 5506/236/6 | H 2 x F36 T8 | 6,50 | 1 | 30 | 7004141 |
| 5506/236/12 | H 2 x F36 T8 | 6,50 | 1 | 30 | 7004282 |
| 5506/236/16 | H 2 x F36 T8 | 6,50 | 1 | 30 | 7004283 |
| 5506/236/51 | H 2 x F36 T8 | 6,50 | 1 | 30 | 30217 |

H = with power factor correction - Without lamp.

| | | | | | |
|-----------------|--------------|--------------|---|----|---------|
| 5506/258 | Class: I | IP 40 | | | |
| | 230V 50Hz | | | | |
| 5506/258/5 | H 2 x F58 T8 | 8,80 | 1 | 30 | 7004142 |
| 5506/258/6 | H 2 x F58 T8 | 8,80 | 1 | 30 | 7004143 |
| 5506/258/12 | H 2 x F58 T8 | 8,80 | 1 | 30 | 7004285 |
| 5506/258/16 | H 2 x F58 T8 | 8,80 | 1 | 30 | 7004286 |
| 5506/258/51 | H 2 x F58 T8 | 8,80 | 1 | 30 | 30221 |

H = with power factor correction - Without lamp.

| | | | | | |
|-----------------|--------------|--------------|---|----|-------|
| 5506/418 | Class: I | IP 40 | | | |
| | 230V 50Hz | | | | |
| 5506/418/6 | H4 x F18 T8 | 5,50 | 1 | 30 | 33600 |
| 5506/418/16 | H 4 x F18 T8 | 5,50 | 1 | 30 | 32199 |

H = with power factor correction - Without lamp.

Series 5000 Special versions

EB with electronic ballast

| Version | Luminaire | | |
|--|-----------|-----------|------|
| EB – Luminaires equipped with electronic ballast (cos j = 0,97) | | | |
| 118 EB | 5503 | | 5506 |
| 136 EB | 5503 | | 5506 |
| 158 EB | 5503 | | 5506 |
| 218 EB | 5500 | 5503 | 5506 |
| 236 EB | 5500 | 5503 | 5506 |
| 258 EB | 5503 | | 5506 |
| 418 EB | 5500 | 5501 5503 | 5506 |

Check the feasibility and delivery conditions with our Customer Service.

EES with autonomous emergency group

| Version | Luminaire | | |
|--|-----------|-----------|------|
| EES – Luminaires equipped with autonomous emergency group (1 lamp on emergency) | | | |
| 118 EES | 5503 | | 5506 |
| 136 EES | 5503 | | 5506 |
| 158 EES | 5503 | | 5506 |
| 218 EES | 5500 | 5503 | 5506 |
| 236 EES | 5500 | 5503 | 5506 |
| 258 EES | 5503 | | 5506 |
| 418 EES | 5500 | 5501 5503 | 5506 |

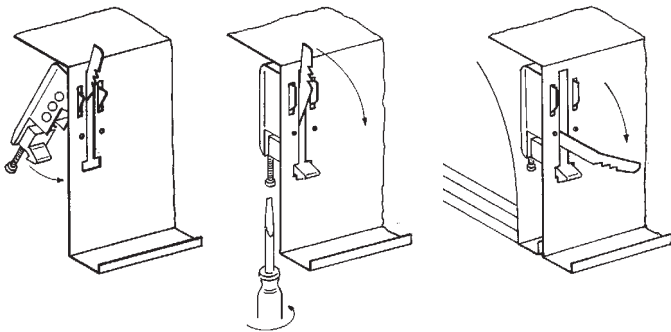
Check the feasibility and delivery conditions with our Customer Service.

EBD with dimmable electronic ballast

| Version | Luminaire | | |
|---|-----------|-----------|------|
| EBD – Luminaires equipped with dimmable electronic ballast | | | |
| 118 EBD | 5503 | | 5506 |
| 136 EBD | 5503 | | 5506 |
| 158 EBD | 5503 | | 5506 |
| 218 EBD | 5500 | 5503 | 5506 |
| 236 EBD | 5500 | 5503 | 5506 |
| 258 EBD | 5503 | | 5506 |
| 418 EBD | 5500 | 5501 5503 | 5506 |

Check the feasibility and delivery conditions with our Customer Service.

Clips



Luminaires 5501 – 5503 are supplied complete with micrometric adjustment plastic mounting clips for quick and easy installation. Clip levers can be set to three different positions for adaptation to specific needs. Clip mounting system has been specially designed to allow the luminaires to be mounted from inside without having to remove any adjacent suspended ceiling elements.

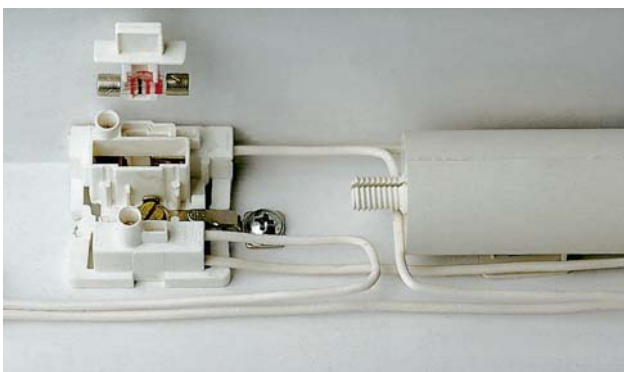
CLIPS for micrometric adjustment of Series 5000

Accessories

SAC CLIPS 5000

7003612

Fuse



All 5000 series luminaires are supplied with a terminal block featuring a built-in 2A fuse (3.15A for 5506 version) that isolates units with failures for rapid identification, further enhancing electrical system safety standards.